

2022 J/24 National Championship Regatta, May 24-28, 2022

Dallas Corinthian Yacht Club, Oak Point, Texas

<https://www.regattanetwork.com/event/23493>

SAILING INSTRUCTIONS

The Organizing Authority is J/24 Fleet 163 and the Dallas Corinthian Yacht Club in conjunction with the US J/24 Class Association (USJCA).

The notation [DP] in a rule means that the penalty for a breach of that rule may, at the discretion of the jury, be less than disqualification. The notation [NP] in a rule means that a boat may not protest another boat for a breach of this rule. This changes RRS 60.1(a).

1. RULES

- 1.1. The regatta will be governed by the rules as defined in *The Racing Rules of Sailing* (RRS).
- 1.2. Support Vessels – RRS 41 shall apply from the time a competitor boat leaves its berth for the first race of each day and until returning to its berth after racing. If race committee displays Race Signal AP over H, RRS 41 restrictions are suspended until it leaves its berth again. This changes the preamble to RRS Part 4.

2. NOTICES TO COMPETITORS

- 2.1. Notices to competitors will be posted on the official notice board.
- 2.2. Questions regarding these sailing instructions shall be addressed in writing to the Principal Race Officer (PRO) and delivered to the registration desk. Written questions and answers will be posted on the official notice board as soon as possible.

3. CHANGES TO SAILING INSTRUCTIONS

- 3.1. Any change to the sailing instructions will be posted before 0800 on the day it will take effect. Any change to the schedule of races will be posted by 2000 on the day before it will take effect.

4. SIGNALS MADE ASHORE

- 4.1. Signals made ashore will be displayed from the flagpole located in the pool area.
- 4.2. When flag AP is displayed ashore, '1 minute' is replaced with 'not less than 60 minutes' in the race signal AP. This changes RRS Race Signals.

5. SCHEDULE AND OTHER EVENTS

- 5.1. The race committee intends to run nine (9) races wherein three (3) races are started on each day. One (1) extra race per day may be sailed provided that the event does not become more than one (1) race ahead of schedule and the change is made according to the provisions herein. If the event is behind schedule, a maximum of four (4) races may be sailed in a single day.
- 5.2. To alert boats that a race or sequence of races will begin soon, the orange starting line flag will be displayed with one sound at least five (5) minutes before a warning signal is made.
- 5.3. The schedule for supplemental crew weigh-in, practice race and official racing is below. See NoR 6 for the registration and official measurement schedule and the official notice board for the social and meals schedule.

Wednesday, May 25	1200 1400 1700	Skippers' Briefing Practice Race ALL BOATS AFLOAT
Thursday, May 26	0800 – 0830 0900 1030	Substitute Crew Weigh-in at Registration Desk* Skippers' Briefing Warning for the First Race of the day; other races to follow
Friday, May 27	0800 – 0830 0900 1030	Substitute Crew Weigh-in at Registration Desk* Skippers' Briefing Warning for the First Race of the day; other races to follow
Saturday, May 28	0800 – 0830 0900 1030 1500	Substitute Crew Weigh-in at Registration Desk* Skippers' Briefing Warning for the First Race of the day; other races to follow No warning signal after this time

6. CLASS FLAGS

6.1. The class flag will be a yellow flag with the J/24 class insignia.

7. RACE AREA

7.1. There will be two sailing areas in Lake Lewisville. The primary sailing area (Area 1) will be “north” of the Lewisville Lake Toll Bridge. The secondary sailing area (Area 2) will be “south” of the Lewisville Lake Toll Bridge. See Attachment B.

8. THE COURSES

- 8.1. No later than the warning signal, the race committee signal boat will display the course and the approximate compass bearing to the first mark.
- 8.2. Attachment A shows the course to be sailed:
1WL: Start – 1 – 1A – Gate (2S/2P) – 1 – 1A – Finish (Downwind)
2WL: Start – 1 – 1A – Gate (2S/2P) – 1 – 1A – Gate (2S/2P) – Finish (Upwind)
- 8.3. Marks 1 and 1A shall be rounded to port. Mark 1A is an offset mark. The offset mark will be placed at approximately a right angle to the weather leg and approximately 6-8 boat lengths to port of Mark 1. The distance between mark 1 and the offset mark is not a leg of the course. This changes RRS 33.
- 8.4. Mark 2 will be a gate consisting of two marks (mark 2P and mark 2S). If only one mark of the gate is present, it shall be rounded to port. Unless there is a change of course, the gate will be positioned approximately to windward of the race committee signal boat. The gate may be laid after the starting signal.
- 8.5. The race committee can make course changes up to 10 degrees and .1nm without signaling a change.
- 8.6. No course will be shortened to fewer than 3 legs in length.
- 8.7. The race committee will attempt to broadcast on VHF Channel 71 the course and bearing to the first mark before the warning signal, as well as course changes that fall under SI 8.5. Failure to broadcast or to receive this notification shall not constitute grounds for granting redress. This changes RRS 62.1(a).

9. MARKS

9.1. The race committee will use the following:

Mark	Original	New Marks
Windward	Yellow Cylinder	Orange Cylinder
Offset	White Tetrahedron	Green Tetrahedron
Gate	Yellow Cylinders	No Change

- 9.2. The race committee reserves the right to substitute different color marks than listed in 9.1.
- 9.3. A race committee vessel signaling a change of a leg of the course is a mark as provided in SI 12.2.

10. AREAS THAT ARE OBSTRUCTIONS

10.1. Information about any forbidden area will be published on the official notice board.

11. THE START

- 11.1. Races will be started by using RRS 26.
- 11.2. The starting line will be between a staff displaying an orange flag on the race committee signal vessel and (i) either a staff displaying an orange flag on a port-end starting line vessel, or (ii) the course side of a port-end orange starting mark.
- 11.3. The race committee may broadcast starting information and countdowns.
- 11.4. Boats subject to individual recall under RRS 29.1 will be broadcast on VHF Channel 71 using sail numbers or bow numbers as a courtesy. The race committee will attempt to broadcast twice the boats that are OCS; it will not alter the list based on a boat’s actions subsequent to the start.
- 11.5. The third sentence of RRS 30.4 (Black Flag Rule) is modified so that: “If a general recall is signaled or the race is abandoned after the starting signal, the race committee shall display on a white board on the stern of the race committee signal boat her sail number or bow number before the next warning signal”.
- 11.6. The race committee as a courtesy will attempt to broadcast the bow/sail numbers of boats that broke RRS 30.3 or RRS 30.4 after the start of the race.
- 11.7. A boat starting later than 5 minutes after her starting signal will be scored DNS (Did Not Start) without a hearing. This changes RRS 63.1, A4 and A5.
- 11.8. The race committee will attempt to make the broadcasts described in SI 11.3, 11.4 and 11.6. However, the timing of such a broadcast, the sequence of the broadcasts or the failure to make or hear the broadcasts shall not be grounds for granting redress if the request was lodged by a boat. This changes RRS 62.1(a).

12. CHANGE OF THE NEXT LEG OF THE COURSE

- 12.1.** To change the next leg of the course, the race committee will lay a new mark (or move the finishing line) and remove the original mark as soon as practicable. When in a subsequent change a new mark is replaced, it will be replaced by an original mark.
- 12.2.** Except at a gate, boats shall pass between the race committee vessel signaling the change of the next leg and the nearby mark, leaving the mark to port and the race committee vessel to starboard. This changes RRS 28.1.

13. THE FINISH

- 13.1.** The finishing line will be between a staff displaying an orange flag on the finishing line vessel and the course side of a port-end finish mark. This changes RRS Race Signals.

14. PENALTY SYSTEM

- 14.1.** RRS Appendix T – Arbitration and Appendix V – Alternate Penalties will apply.
- 14.2.** Except if the course is shortened to finish at the windward mark, penalties while in the zone of the windward mark or on the offset leg may be delayed and taken as soon as possible on the downwind leg. This changes RRS 44.2.
- 14.3.** The Jury may impose penalties less than disqualification (DPI), for violation of the Class rules B.3, C.4, C.5.1(a)(1), C.7.2(a)(9), C.5.1(a)(4), C.5.1(a)(5), C.5.1(b)(1), C.5.1(a)(2), C.5.2(a)(10), C.7.3(a)(11), and C.5.3, and RRS rules other than those of RRS Part 1 and RRS Part 2. This changes RRS 64.1(a).

15. TARGET TIMES AND TIME LIMITS

- 15.1.** The target time for each race is 50 to 60 minutes. Failure to meet the target time will not be grounds for redress. This changes RRS 62.1(a).
- 15.2.** The time limit for the first boat to sail the course and finish is 90 minutes.
- 15.3.** If no boat has passed the first mark within 20 minutes, the race will be abandoned.
- 15.4.** Boats must finish within 20 minutes after the first boat sails the course and finishes (the “Finishing Window”). Any boats that have started and are still racing at the end of the Finishing Window will be scored TLE (Time Limit Expired) as the number of finishers +1, without a hearing. This changes RRS 35, A5.1, A5.2 and A10. The race committee will lower the orange flag with a long sound when the finishing window is closed.

16. PROTESTS AND REQUESTS FOR REDRESS

- 16.1.** Protest forms are available at the race office located on the east side of the upstairs clubhouse. Protests and requests for redress or reopening shall be delivered there within the appropriate time limit.
- 16.2.** The protest time limit is 60 minutes after the race committee signal boat docks.
- 16.3.** Notices will be posted no later than 30 minutes after the protest time limit to inform competitors of hearings in which they are parties or named as witnesses. Hearings will be held in the race office located on the east side of the upstairs clubhouse.
- 16.4.** Notices of protests by the race committee, technical committee or protest committee will be posted to inform boats under RRS 61.1(b).
- 16.5.** On the last scheduled day of racing a request for redress based on a PC decision shall be delivered no later than 30 minutes after the decision was posted. This changes RRS 62.2.

17. SCORING

- 17.1.** Four (4) races are required to be completed to constitute a championship.
- 17.2.** When fewer than five (5) races have been completed, a boat's series score will be the total of her race scores.
- 17.3.** When six (6) or more races have been completed, a boat's series score will be the total of her race scores excluding her worst score.

18. SAFETY REGULATIONS [NP]

- 18.1.** A boat that retires from a race, leaves or returns to the racing area between races shall notify the race committee as soon as possible.
- 18.2.** Before the warning signal of the first race each day, each boat shall sail on starboard tack past the stern of the race committee signal boat that is displaying flag L (Lima) and hail her bow number until acknowledged by the race committee by repeating the boat's bow number.

19. REPLACEMENT OF CREW OR EQUIPMENT

- 19.1.** Substitution of crew will not be allowed without written approval of the race committee prior to racing on that day.
- 19.2.** The number of crew shall not change during the regatta.
- 19.3.** Substitution of damaged or lost equipment will not be allowed unless authorized by the race committee. Requests for substitution shall be made to the committee at the first reasonable opportunity.

20. EQUIPMENT AND MEASUREMENT CHECKS

- 20.1.** On the water, a boat can be instructed by a member of the race committee or the technical committee to proceed immediately to a designated area for inspection. Ashore, equipment may be inspected or measured at times specified in the class rules or the NoR.

21. ADVERTISING, BOW NUMBERS, IDENTIFICATION/EVENT STICKERS [NP]

- 21.1.** Boats shall display bow numbers and event stickers provided by the organizing authority during the event. Placement instructions will be provided at registration. The crew shall ensure the numbers and stickers remain on the boat and obtain replacements as necessary.

22. SUPPORT VESSELS

- 22.1.** [NP] Support vessels, and team leaders, coaches and other support personnel, shall stay more than 150 meters to leeward of the starting line and leeward marks and from any competing boats while racing.
- 22.2.** [DP] Failure of a support vessel to register or to comply with SI 24.1 or SI 24.2 may result in protest against the boats associated with the support vessel. The penalty applied to the boat or boats associated with the support vessel shall be at the discretion of the PC and may not be excluded from their score. This modifies RRS 64.1(c) and A2.
- 22.3.** Support vessels shall carry a VHF radio tuned to the race committee VHF channel 71.
- 22.4.** Only Press boats and staff registered at the race office will be authorized to move inside the course area.
- 22.5.** Only Drones from Press boats and staff registered at the race office will be authorized to flight on the course area.

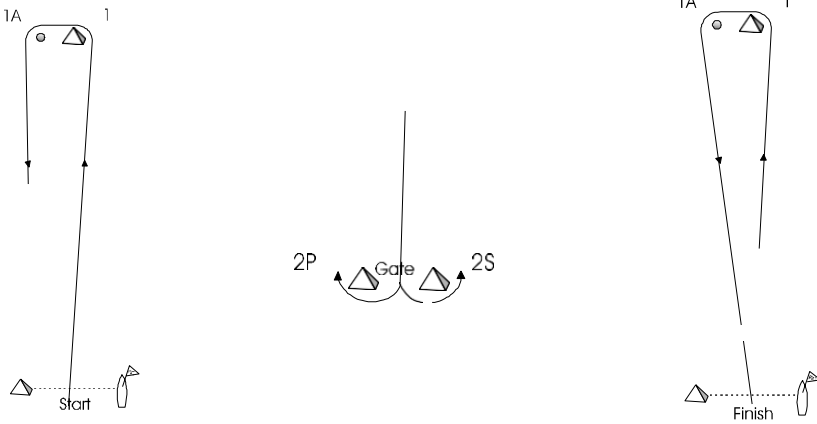
23. RADIO COMMUNICATION

- 23.1.** Each boat is strongly encouraged to carry a VHF radio on board capable of receiving normal domestic channels and to monitor the radio while in the racing area.
- 23.2.** [DP] Except in an emergency, a boat that is racing shall not make voice or data transmissions and shall not receive voice or data communication that is not available to all boats.
- 23.3.** The race committee will use VHF radio channel 71 to communicate to the fleet and may use the radio to advise competitors of race information.

ATTACHMENT A

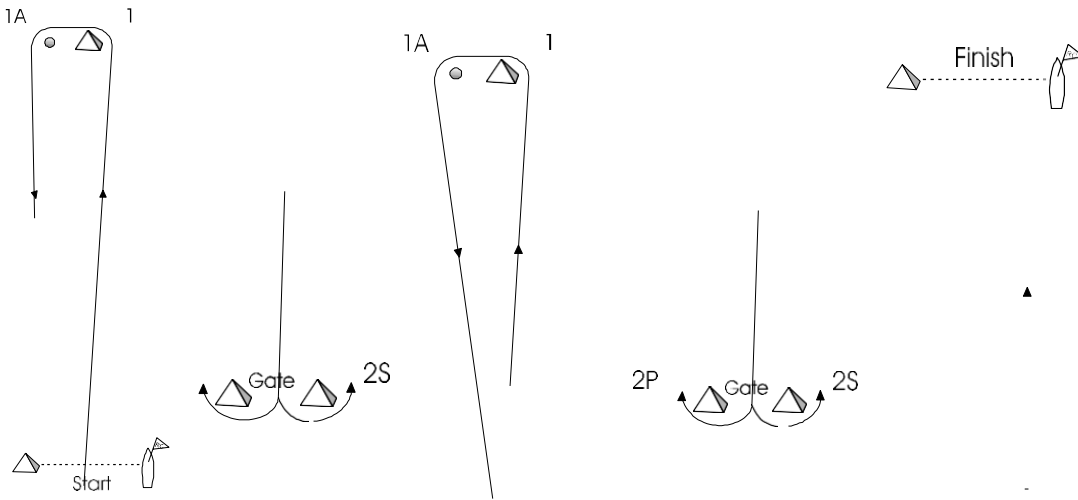
Course 1WL

4 Start – 1 – 1A – Gate – 1 – 1A – Finish



Course 2WL

Start – 1 – 1A – Gate – 1 – 1A – Gate – Finish



Attachment B

